

INSTALLATION, OPERATION AND MAINTENANCE INSTRUCTIONS

AquaCold Compact and Deluxe Wall Mounted Water Coolers



A211104F / A211104B / A211104P / A211108F / A211108B / A211108P
A311105F / A311105B / A311105P / A311108F / A311108B / A311108P

**TECHNICAL ASSISTANCE TOLL FREE TELEPHONE NUMBER:
1.800.591.9360**

Technical Assistance Fax: 1.626.855.4894

NOTES TO INSTALLER:

1. Please leave this documentation with the owner of the fixture when finished.
2. Please read this entire booklet before beginning the installation.
3. Check your installation for compliance with plumbing, electrical and other applicable codes.

LIMITED WARRANTY - UNITED STATES & CANADA

Acorn Aqua warrants that its products are free from defects in material or workmanship under normal use and service for a period of one year from date of original shipment or for 18 months after the date of shipment from the factory, whichever comes first. The compressor, condenser and refrigeration tubing is warranted for five years. Acorn's liability under this warranty shall be discharged solely by replacement or repair of defective material, provided Acorn is notified in writing within one year from date of shipment, F.O.B. Industry, California.

This warranty does not cover installation or labor charges and does not apply to materials, which have been damaged by other causes such as mishandling or improper care or abnormal use. The repair or replacement of the defective materials shall constitute the sole remedy of the Buyer and the sole remedy of Acorn under this warranty. Acorn shall not be liable under any circumstances for incidental, consequential or direct charges caused by defects in the materials, or any delay in the repair or replacement thereof. This warranty is in lieu of all other warranties expressed or implied. Product maintenance instructions are issued with each unit and disregard or non-compliance with these instructions will constitute an abnormal use condition and void the warranty. Stainless steel must be protected on jobsite during construction and must be properly maintained after the water has been introduced into the water cooler or drinking fountain, or Acorn's limited warranty is void.

LIMITED EXPORT WARRANTY - One year on parts only.



ACORN AQUA
P.O. Box 3527
City of Industry, CA 91744-0527
United States of America
www.acornaqua.com

IMPORTANT

This fixture is intended to dispense water that has been lowered in temperature, but otherwise remains unchanged by the materials in the water cooler. It is common for electrical equipment to be grounded to water lines either within a structure or away from it. Every attempt should be made to prevent this kind of grounding from generating electrical feedback into the water cooler creating electrolysis. Electrolysis will cause a metallic taste or cause water metal content to increase.

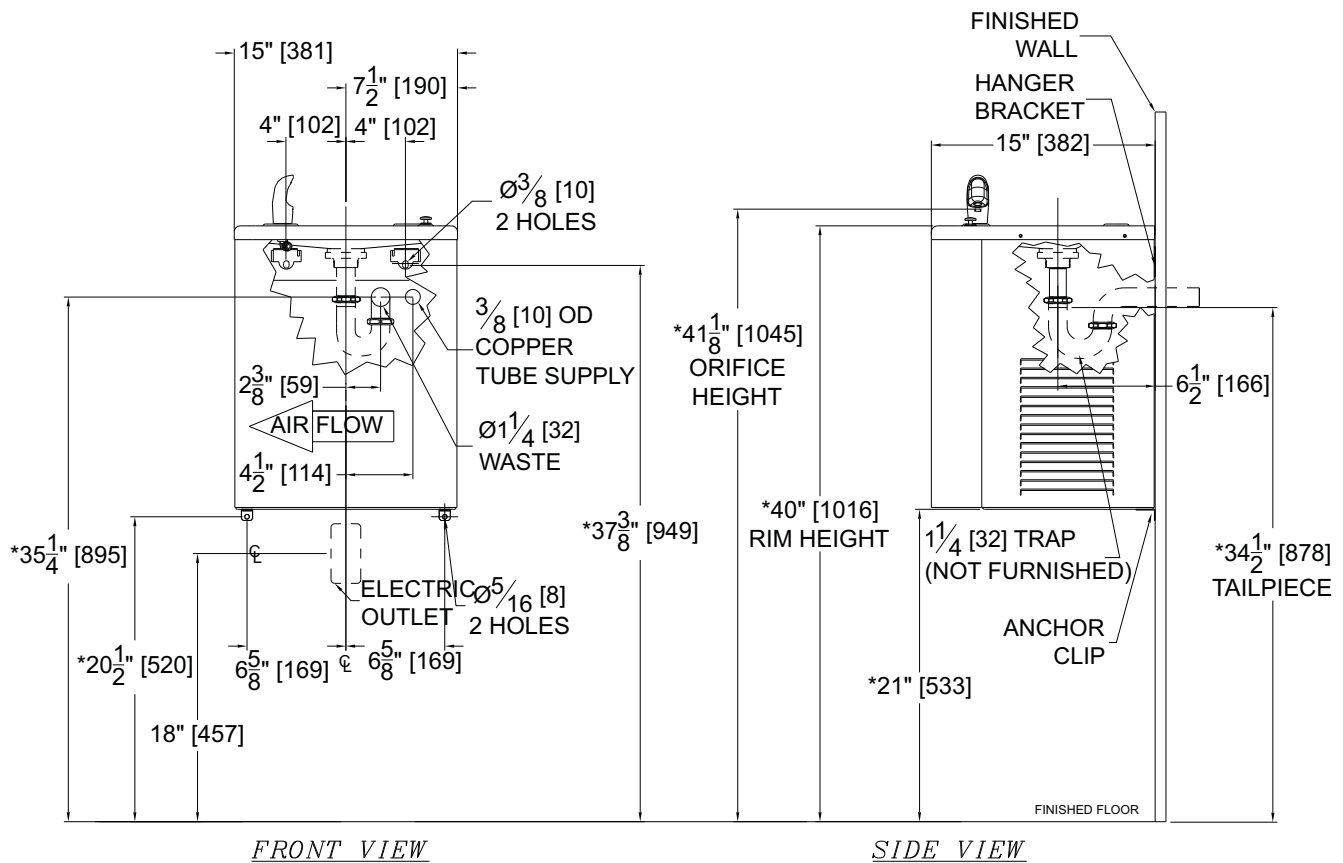
NOTICE

A dielectric coupling must be used to connect the water cooler to the water supply. A nonmetallic strainer is furnished with this water cooler to meet this requirement.

ROUGHING-IN AND DIMENSIONAL DRAWING

Prior to roughing consult with local, state, and federal codes for proper mounting height.

A211104F & A211108F Compact Wall Mounted Water Cooler



GENERAL NOTES:

1. ALL DIMENSIONS ARE IN INCHES [MM]
2. ALLOW 4 INCHES [102 MM] MINIMUM CLEARANCE PER SIDE FOR VENTILATION
- *3. DIMENSIONS SHOWN ARE FOR RECOMMENDED ADULT HEIGHT. ADJUST VERTICAL DIMENSIONS AS NECESSARY TO COMPLY WITH FEDERAL, STATE, & LOCAL CODES.
4. STOP VALVE, TRAP, & ELECTRICAL OUTLET NOT SUPPLIED.
5. IMPORTANT: COOLER MUST BE ATTACHED TO WALL WITH ANCHOR SCREWS.

See next page for A311105F & A311108F Deluxe Wall Mounted Water Cooler roughing-in and dimensional drawing.

9. **WARNING: Warranty is voided if installation** is not made following current Acorn Aqua installation instructions and if components are assembled to the fixture that is not approved by Acorn Aqua.
10. Fixture operates within water pressure range of 20 to 105 psig. Acorn Aqua will not warranty fixtures damaged when connected to supply lines with flow pressure lower than 20 psig or higher than 105 psig. A pressure regulator must be furnished by others on supply line if inlet pressure is greater than 105 psig.
11. Due to cold waste water, Acorn Aqua recommends that p-trap supplied by installer be insulated to prevent excessive condensation.
12. Per UPC 609.10- *All building water supply systems in which quick acting valves are installed shall be provided with devices to absorb the hammer caused by high pressure resulting from the quick closing of the valve. These pressure-absorbing devices shall be approved mechanical devices. Water pressure-absorbing devices will be installed as close as possible to the quick closing valve.*

INSTALLATION:

1. Mount hanger bracket to wall as shown in Roughing-In and Dimensional Drawing. Note: Adjust height if different bubbler outlet height from that shown is required. **WARNING:** Hanger Bracket **MUST** be securely anchored. If wall can not provide adequate support, order and install optional fixture support carrier.
2. Hang the water cooler on the hanger bracket making sure the bracket tabs properly engage the slots in the back of the fixture.
3. Anchor water cooler to wall through anchor clips on the bottom of the base.
4. Remove the front panel from the water cooler by loosening bottom front panel clips, spread bottom of panel so that returns clear the brackets and carefully pull down. Set panel aside in a safe place where it will not be damaged.
5. After thoroughly flushing the 3/8" o.d. supply line, connect water supply to water cooler.
6. Make up 1-1/4" o.d. p-trap waste connection.

START UP:

1. Before connecting power supply and assembling bottom cover to water cooler, but after thoroughly flushing the supply line and connecting it to the fixture, turn on building water supply and check all connections for leaks.
2. Air within the water cooler system or the structure supply piping will cause an irregular bubbler outlet stream until purged out by incoming water. Covering the bubbler with a clean cup (or similar object) is recommended when first activating water cooler to prevent excessive splashing. Depress a side or front push bar until steady water stream is achieved.
3. If water flow requires adjustment, insert a slotted narrow blade screwdriver in the hole centered on the underside of the fixture in the knee clearance area up to the flow regulator. Turning clockwise will increase flow and turning counterclockwise will decrease flow.
4. Recheck all water and drain connections with water flowing through system.
5. With power still **NOT** connected, carefully manually rotate cooling fan to insure proper clearance and free fan action.
6. Plug water cooler in to electrical outlet and make sure unit begins to function.
7. Assemble bottom cover to water cooler with screws furnished.

TROUBLE SHOOTING:

IMPORTANT: BEFORE MAKING ANY OF THE REPAIRS LISTED, MAKE SURE THE WATER COOLER IS DISCONNECTED FROM THE ELECTRICAL SUPPLY AND THE WATER SUPPLY VALVE IS SHUT OFF.

1. Adjustments

- a. Cartridge – The water flow can be adjusted using a slotted narrow blade screwdriver and turning clockwise to increase flow and counterclockwise to decrease flow.

- b. Cold Water Thermostat – The water temperature can be adjusted using a slotted screwdriver and turning clockwise to make colder and counterclockwise to make warmer.
- c. Bubbler Stream – Bubbler can be rotated slightly to direct the stream backwards or forwards. Adjust the stream to minimize splashing. Splashing may occur from bubbler stream if the unit is not level. Shim lower mounting points, if necessary, to level cooler.

2. Compressor Does Not Run

- a. Check the electrical receptacle for power and correct voltage. The incoming voltage must be within 10% of the rated voltage on the serial nameplate.
- b. The cold thermostat is accessible by removing the bottom access cover. If the cold thermostat capillary bulb loses its charge or becomes kinked it will fail in the open position causing a disruption of power to the compressor. Unplug the water cooler and using an ohm meter check for continuity across the two electrical terminals on the thermostat. Install a new thermostat if there is no continuity.
- c. Check for loose wires within the compressor box. The incoming power leads must be connected to the overload and relay.
- d. If all components check positive for continuity then test the wiring harness plug for continuity to see if there is a broken wire within the wiring harness insulation.

3. Compressor Runs – Water Is Warm

- a. The most common cause for a water cooler to run without producing cold water is a loss of refrigerant. The water cooler must be taken to a certified refrigerant technician for repairs.
- b. Make sure the condenser fan motor is operative. The fan blade must turn freely to help remove the heat of compression.
- c. An incorrect refrigerant charge, restriction or defective compressor (not pumping) will also cause the compressor to run without producing cold water. All these signs indicate a problem within the refrigeration system and the water cooler must be checked by an authorized service company.

4. Compressor Cycling On Overload Protector

- a. A dirty condenser or a blocked fan will cause a high head pressure and frequent cycling of the overload protector.
- b. Check the incoming voltage to make sure it is within 10% of the serial nameplate rating.
- c. A restriction or moisture in the system will also cause intermittent cycling. A certified refrigeration mechanic should be contacted in this situation.
- d. Change the overload or relay if defective.

5. Noisy Operation

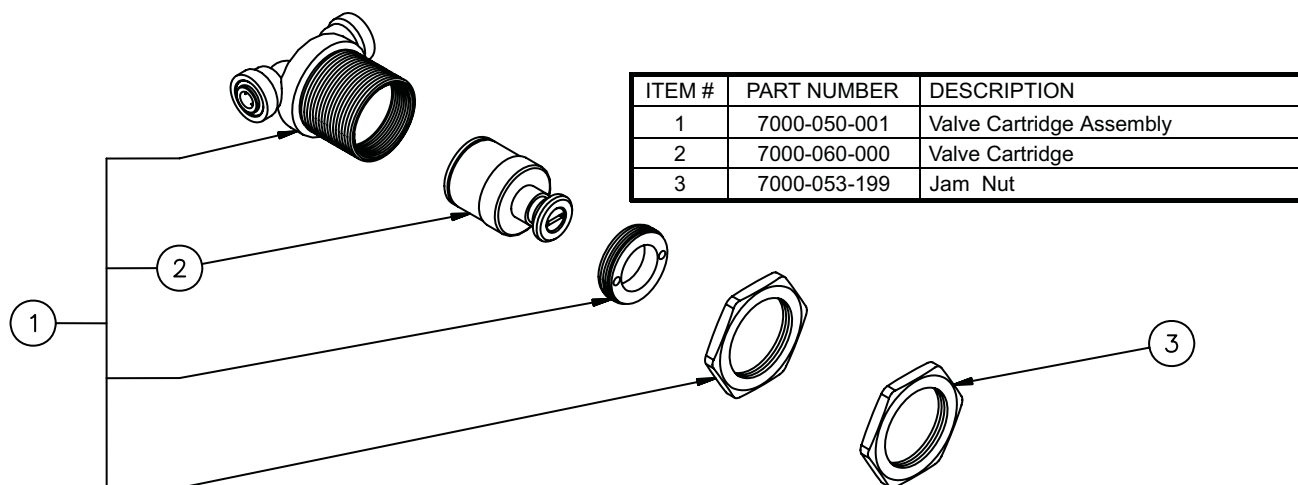
- a. Check to make sure the fan blade is rotating freely.
- b. Make sure the water cooler is correctly mounted to the wall. Absence of the two lower mounting bolts may cause excess noise and vibration.
- c. Check the compressor mounting to make sure the pins and clips are not rattling. If the compressor appears to be noisy internally, it must be replaced.

6. Restricted Or No Water Flow

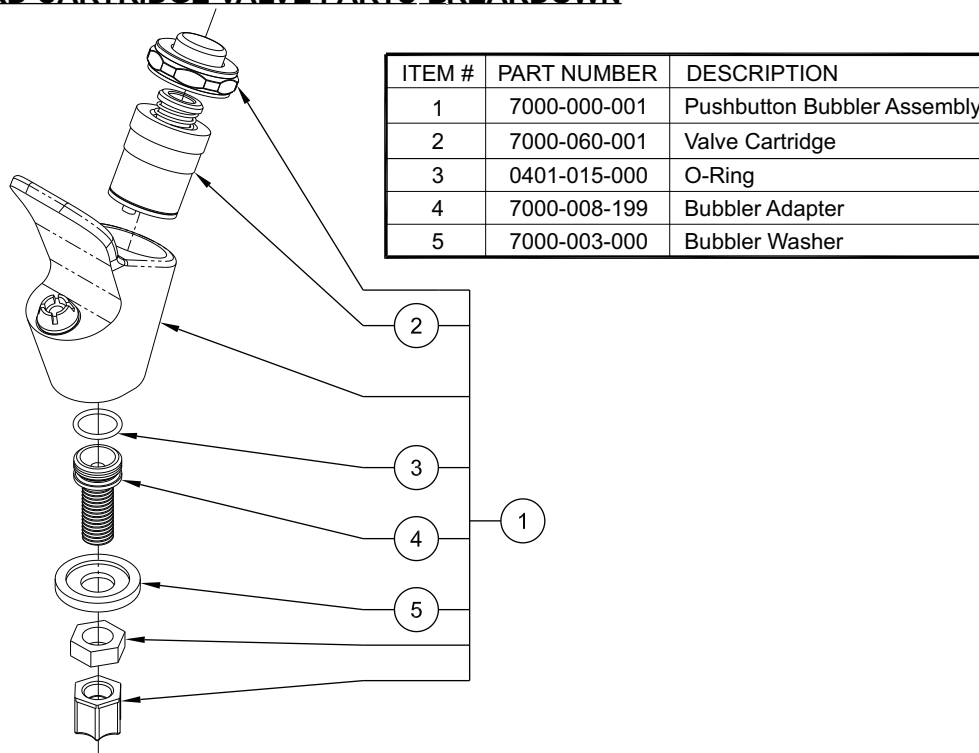
- a. Ensure water supply service stop valve is fully open.
- b. Verify minimum 20 psig supply line flow pressure.
- c. Check for twists or kinks in bubbler tubing.
- d. Check the water inlet strainer. Sediment from the main supply can get trapped in the screen along with installation materials such as pipe dope and flux. The screen should be cleaned and checked on a regular basis and replace if needed.
- e. The cartridge valve located in the water control assembly or bubbler can also become clogged with foreign material. The cartridge valve can only be replaced and not repaired.
- f. The water cooler may also develop a freezing condition in which the water will become frozen inside the evaporator coil. This indicates a refrigeration problem or thermostat failure in which case the water cooler needs to be checked by a qualified technician.

CLEANING & MAINTENANCE GUIDE:

1. Motors have lifetime lubrication and do not require scheduled maintenance.
2. Excess dirt or poor ventilation will cause the compressor overload protector to turn the compressor off and it will cycle on and off with no cold water coming out of bubbler. Periodically clean with vacuum cleaner, air hose or brush the condenser fins and cabinet ventilation louvers. In environments where dirt and dust is more prevalent, clean more frequently.
3. Periodically remove access panels and clean out in-line strainer.
4. Do NOT use harsh chemicals, abrasive or petroleum based cleaners. Use of these will void the Acorn Aqua warranty.
5. Exterior panels can be cleaned using mild household detergents or warm, soapy water. Extra care must be used cleaning chrome plated items and mirror finished stainless steel. They can scratch easily and should only be cleaned using a clean, soft cloth and mild soap with water or a mild glass cleaner.

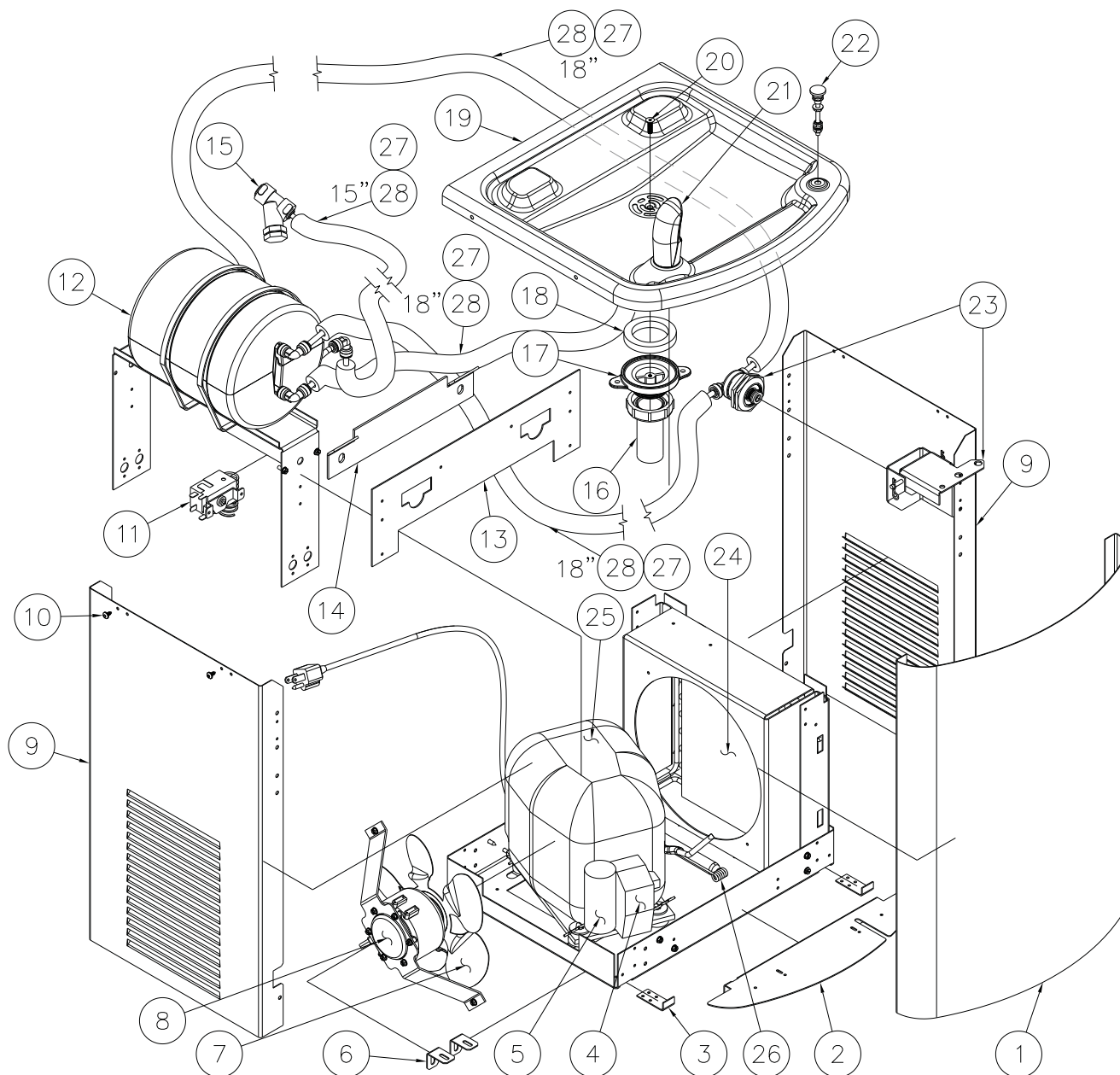


STANDARD CARTRIDGE VALVE PARTS BREAKDOWN



Repairs must be made with Acorn Aqua parts only. Please order through your local representative or distributor. The phone number to locate your local representative is 1.800.591.9360.

COOLER PARTS BREAKDOWN DRAWING



NOTE: See next page for table of part numbers corresponding to drawing above.

COOLER PARTS BREAKDOWN TABLE

NOTE: See previous page for fixture drawing corresponding to table of part numbers below.

ITEM #	PART NUMBER	DESCRIPTION	ITEM #	PART NUMBER	DESCRIPTION
1	7004-401-020	Compact Front Panel - Granite	10	0124-051-000	Allen Pan Head Screw
	7004-401-015	Compact Front Panel - "2" Dark Bronze	11	7003-250-000	Cold Control
	7004-401-016	Compact Front Panel - "3" Gold	12	7004-100-001	Evaporator Assembly - 4 & 5 GPH
	7004-420-001	Compact Front Panel - "4" Stainless Steel		7004-101-001	Evaporator Assembly - 8 GPH
	7005-501-020	Deluxe Front Panel - Granite	13	7004-407-199	Back Plate
	7005-501-015	Deluxe Front Panel - "2" Dark Bronze	14	7004-408-199	Wall Mounting Hanger Bracket
	7005-501-016	Deluxe Front Panel - "3" Gold	15	7000-022-000	"Y" Strainer
	7005-510-001	Deluxe Front Panel - "4" Stainless Steel	16	7000-032-001	Drain Tube Assembly
2	7004-411-199	Front Panel Kick Plate	17	7000-005-199	Drain Adapter
3	7004-409-199	Front Panel Clip	18	7000-006-000	Flat Drain Adapter Gasket
4	7012-015-000	Start Relay – 4 & 5 GPH	19	7005-007-199	Cooler Basin Top
	7012-002-000	Start Relay – 8 GPH		7005-003-199	"P" Option Cooler Basin Top
	7012-031-000	Start Relay – 8 GPH Deluxe – 220V	20	0152-040-000	Allen Flat Head Screw
5	7012-003-000	Start Capacitor	21	7000-410-002	Standard Gray Flexible Bubbler Assembly
	7012-032-000	Start Capacitor – 8 GPH Deluxe – 220V		7000-002-001	"B" Option Brass Bubbler Assembly
6	7005-504-199	Bottom Wall Mounting Clips		7000-000-001	"P" Option Push Button Bubbler Assembly
7	7003-350-000	Fan Blade	22	7004-607-001	Push Button Assembly
8	7003-302-000	Fan Motor	23	7004-052-001	Activation Assembly
	7012-062-001	Fan Motor – 8 GPH Deluxe – 220V	24	7003-201-000	Condenser
9	7004-403-020	Compact Side Panel - Granite	25	7012-014-001	Compressor – 4 & 5 GPH
	7004-403-015	Compact Side Panel - "2" Dark Bronze		7012-001-001	Compressor – 8 GPH
	7004-403-016	Compact Side Panel - "3" Gold		7012-030-001	Compressor – 8 GPH Deluxe – 220V
	7004-421-199	Compact Side Panel - "4" Stainless Steel	26	7012-050-000	Filter / Dryer
	7005-502-020	Deluxe Side Panel - Granite	27	2169-000-000	¼" O.D. LLDPE Tubing, Blue
	7005-502-015	Deluxe Side Panel - "2" Dark Bronze	28	7012-055-000	Foam Pipe Insulation 3/8" I.D.x1/4" thk
	7005-502-016	Deluxe Side Panel - "3" Gold			
	7005-511-199	Deluxe Side Panel - "4" Stainless Steel			

Repairs must be made with Acorn Aqua parts only. Please order through your local representative or distributor. The phone number to locate your local representative is 1.800.591.9360.