



# AquaContour

## Barrier Free, Bi-Level, Wall Mounted Water Cooler with 32" Wide Panel

### SUGGESTED SPECIFICATIONS

Model A152408B-W32 is a wall mounted, vandal resistant bi-level pressure water cooler that shall deliver a minimum of **8.0 GPH** (30.3 LPH) of water at 50°F (10°C) cooled from 80°F (26.7°C) inlet water and 90°F (32.2°C) ambient. Unit shall be made from 18 gage, 304 stainless steel with a brushed finish. Unit shall be activated by self-closing, frontal push pads, by using less than 5 pounds of force, which activates internally mounted valves with adjustable stream regulators controlling the water flow. Evaporator shall be insulated tube on tank. Cooling system shall use R-134a refrigerant and be capillary tube controlled. An adjustable thermostat with an off position shall control the refrigeration system. Bubblers shall be polished chrome plated brass with non-squirt features and operate on water pressure range of 20-105 psig. Unit shall have uniquely designed, two-piece contoured bowls with P-traps integral to the unit. Unit shall adhere to ANSI A117.1 and Americans with Disabilities Act of 1990 frontal approach and protruding objects requirements, **Child ADA** parallel and frontal approach and ANSI/NSF 61, Section 9. Unit shall be listed by Underwriters Laboratories for both the US and Canada, compliant to the Air Conditioning and Refrigeration Institute Standard 1010.

**Stainless Steel Model:**  
A152408B-W32



### STANDARD FEATURES

- 18 gage, 304 stainless steel
- Both Child and Adult ADA Compliant (when properly installed)
- Polished chrome plated brass, anti-rotation non-squirt bubblers
- 100 mesh inlet strainer
- Vandal resistant screws
- Integral P-trap
- Mounting frame
- 32" wide back panel and louvered grille

Model Number	GPH*	Rated Watts	Full Load Amps	Approx. Shipping Weight
A152408B-W32	8.0	390	4.6	140 lbs.

\* GPH of 50°F water at 90°F ambient room temperature and 80°F inlet water temperature  
Compressor motor operates on 115 Volt / 60 Hz single phase.

### OPTIONAL ACCESSORIES (additional costs)

- "F"** Flexible bubblers (Use model A152408F-W32)
- GF1 Glass filler with lever handle
- HP High polished stainless steel
- RBL Reverse bi-level
- SK3 Skirt kit, stainless steel, for upper unit
- SO Sensor operated
- WF1 1500 gallon capacity, NSF 42+53, 1 micron lead reduction filter
- 220V 220 volt / 50 Hz compressor ( € € )
- "2"** Dark bronze finish (Use model A152208B-W32)
- "3"** Gold finish (high polished only) (Use model A152308B-W32)

Custom color finishes available upon request

Acorn Aqua™ assumes no responsibility for use of void or suspended data. © Copyright 2009 Acorn Aqua™, City of Industry, CA, A Division of Acorn Engineering Company. Please visit [www.acornaqua.com](http://www.acornaqua.com) for most current specifications.

Submittal # **A152408B-W32**  
Date: 2/12/09

COMPLIES WITH STANDARDS



Test rating conditions are compliant with ARI 1010.



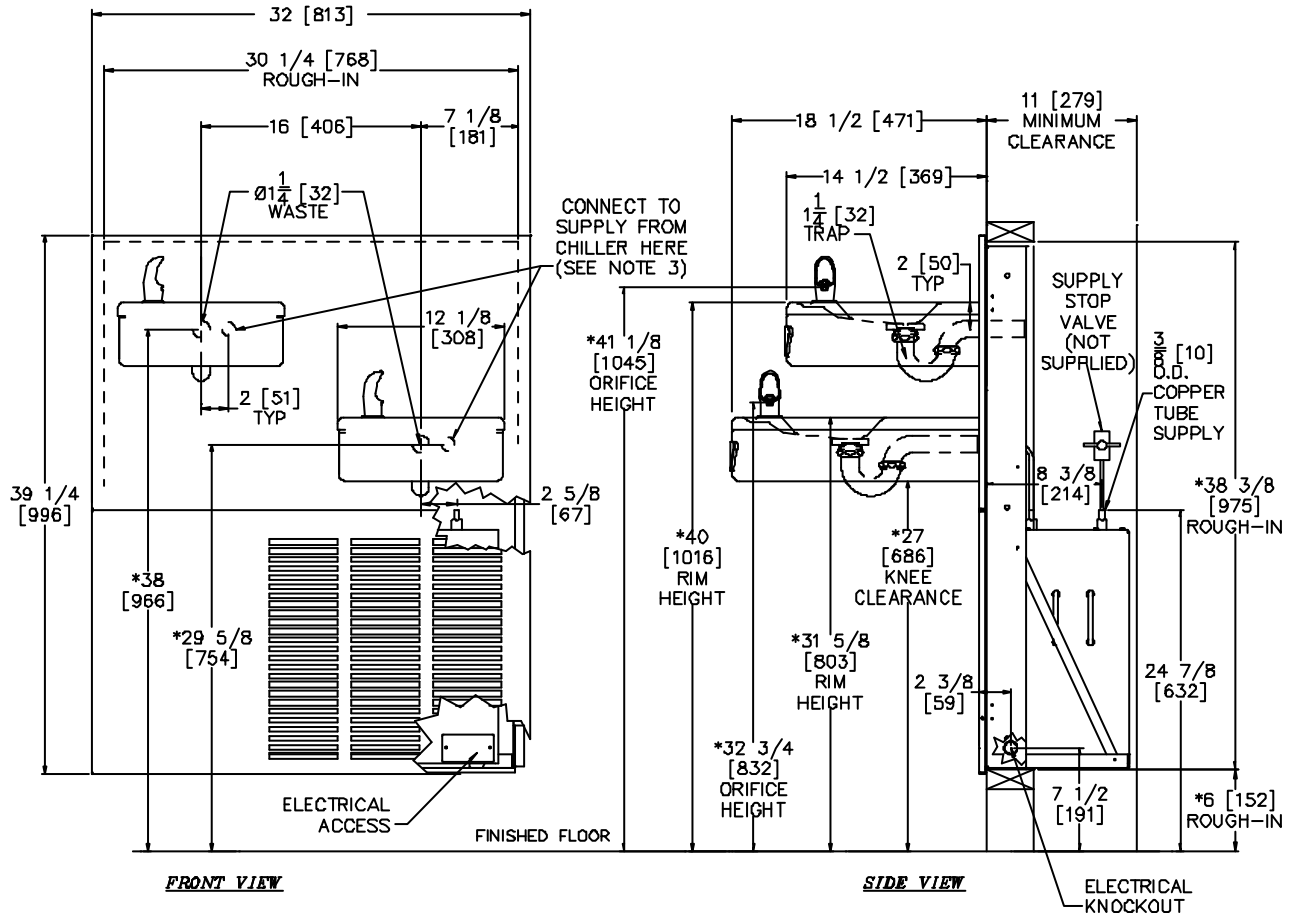
ACORN AQUA  
15125 Proctor Avenue  
City of Industry, CA  
91746 U.S.A.  
Phone 800-591-9360  
626-336-4561  
Fax 626-855-4894  
[www.acornaqua.com](http://www.acornaqua.com)



# TECHNICAL DIMENSIONS

All dimensions are nominal and subject to manufacturer's change without notice. Acorn Aqua™ assumes no responsibility for use of void or suspended data. © 2009 Acorn Aqua™, a Division of Acorn Engineering Company. Please visit [www.acornaqua.com](http://www.acornaqua.com) for most current specifications.

**Stainless Steel Model:**  
A152408B-W32



**GENERAL NOTES:**

1. ALL DIMENSIONS ARE IN INCHES [MM]
- \*2. DIMENSIONS SHOWN ARE FOR RECOMMENDED ADULT HEIGHT. ADJUST VERTICAL DIMENSIONS AS NECESSARY TO COMPLY WITH FEDERAL, STATE, & LOCAL CODES.
3. WATER LINES FROM CHILLER TO FOUNTAIN SHOULD

**AquaContour** Barrier Free, Bi-Level, Wall Mounted Water Cooler with 32" Wide Panel

Rough-in # **A152408B-W32** 2/12/09

*Five Year Limited Warranty-* (Continental United States and Canada Only) The sealed refrigeration system and most major components are warranted for five (5) years. Other parts are warranted for one (1) year from date of installation.  
*Limited Export Warranty-* One (1) year on parts only.

**SELECTION SUMMARY & APPROVAL FOR MANUFACTURING**

Model Number & Options _____	Quantity _____
Company _____	Date _____
Contact _____	Title _____
Approval for Manufacturing/Signature _____	



Phone 800-591-9360  
626-336-4561  
[www.acornaqua.com](http://www.acornaqua.com)