



AquaRecessed

Fully Recessed, Wall Mounted Drinking Fountain

SUGGESTED SPECIFICATIONS

Model A481400S is a fully recessed, wall mounted, vandal resistant drinking fountain made from 18 gage, 304 stainless steel with a brushed finish. Unit shall be activated by a surface mounted, brass chrome plated front push button using less than 5 pounds of force. Bubbler shall be polished stainless steel with an integrally designed non-squirt feature and operate on a water pressure range of 20-105 psig. Unit shall adhere to ANSI/ NSF 61, Section 9.

Stainless Steel Model:
A481400S



STANDARD FEATURES

- 18 gage, 304 stainless steel cabinet
- 16 gage, galvanized mounting frame
- Polished stainless steel, lead-free, anti-rotation non-squirt bubbler
- 100 mesh inlet strainer
- Vandal resistant screws

OPTIONAL ACCESSORIES (additional costs)

- GF2 Glass filler
- HP High polished stainless steel

Custom color finishes available upon request

Acorn Aqua™ assumes no responsibility for use of void or suspended data. © Copyright 2009 Acorn Aqua™, City of Industry, CA, A Division of Acorn Engineering Company. Please visit www.acornaqua.com for most current specifications.

Submittal # **A481400S**
3/30/09

COMPLIES WITH
STANDARDS



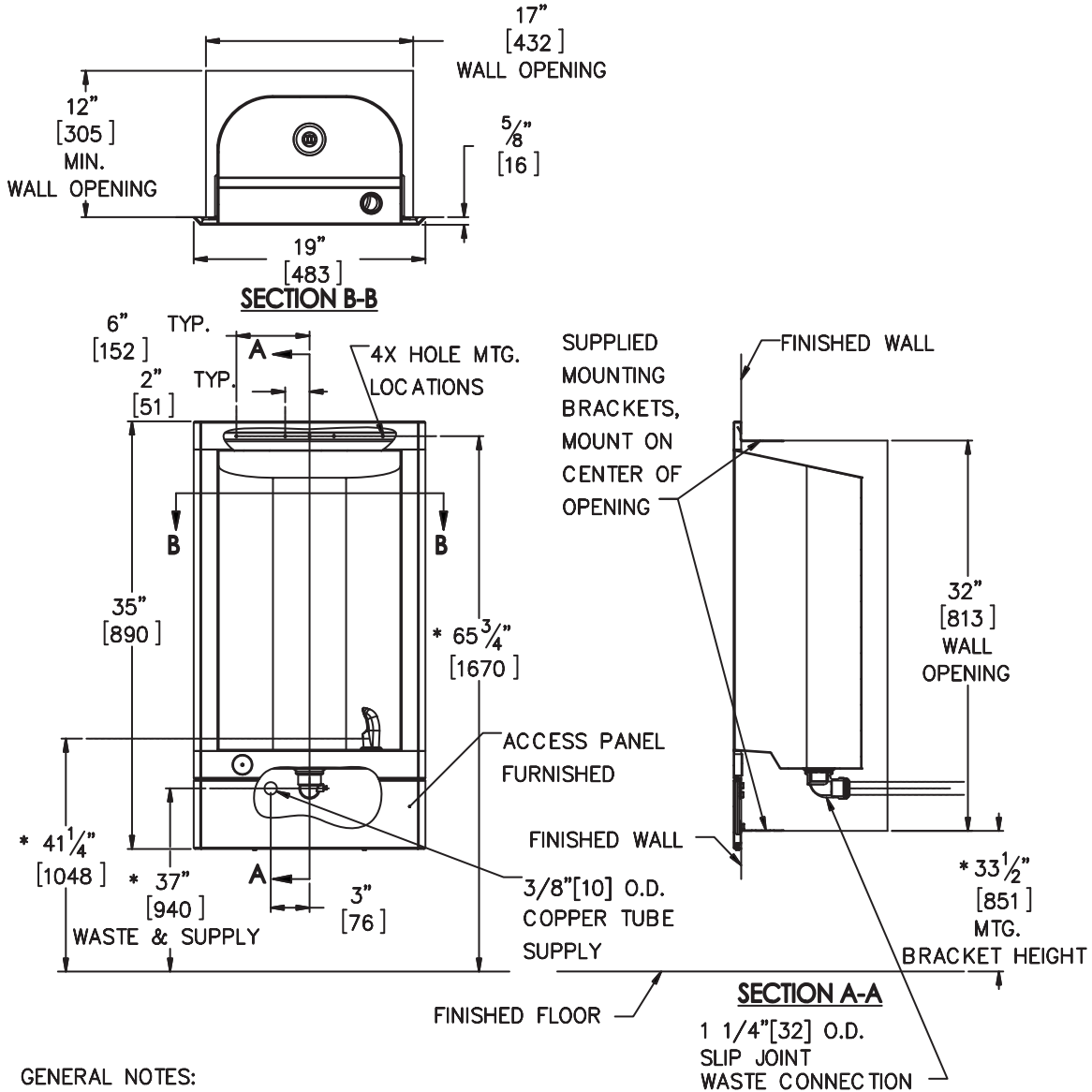
ACORN AQUA
15125 Proctor Avenue
City of Industry, CA
91746 U.S.A.
Phone 800-591-9360
626-336-4561
Fax 626-855-4894
www.acornaqua.com



TECHNICAL DIMENSIONS

All dimensions are nominal and subject to manufacturer's change without notice. Acorn Aqua™ assumes no responsibility for use of void or suspended data. © 2009 Acorn Aqua™, a Division of Acorn Engineering Company. Please visit www.acornaqua.com for most current specifications.

Stainless Steel Model:
A481400S



GENERAL NOTES:

1. ALL DIMENSIONS ARE IN INCHES [MM].
- *2. DIMENSIONS SHOWN ARE FOR RECOMMENDED ADULT HEIGHT. ADJUST VERTICAL DIMENSIONS AS NECESSARY TO COMPLY WITH FEDERAL, STATE & LOCAL CODES.
3. STOP VALVE NOT PROVIDED.

AquaRecessed Fully Recessed, Wall Mounted Drinking Fountain

Rough-in # **A481400S** 3/30/09

Five Year Limited Warranty- (Continental United States and Canada Only) The sealed refrigeration system and most major components are warranted for five (5) years. Other parts are warranted for one (1) year from date of installation.
Limited Export Warranty- One (1) year on parts only.

SELECTION SUMMARY & APPROVAL FOR MANUFACTURING

Model Number & Options _____	Quantity _____
Company _____	Date _____
Contact _____	Title _____
Approval for Manufacturing/Signature _____	



Phone 800-591-9360
626-336-4561
www.acornaqua.com