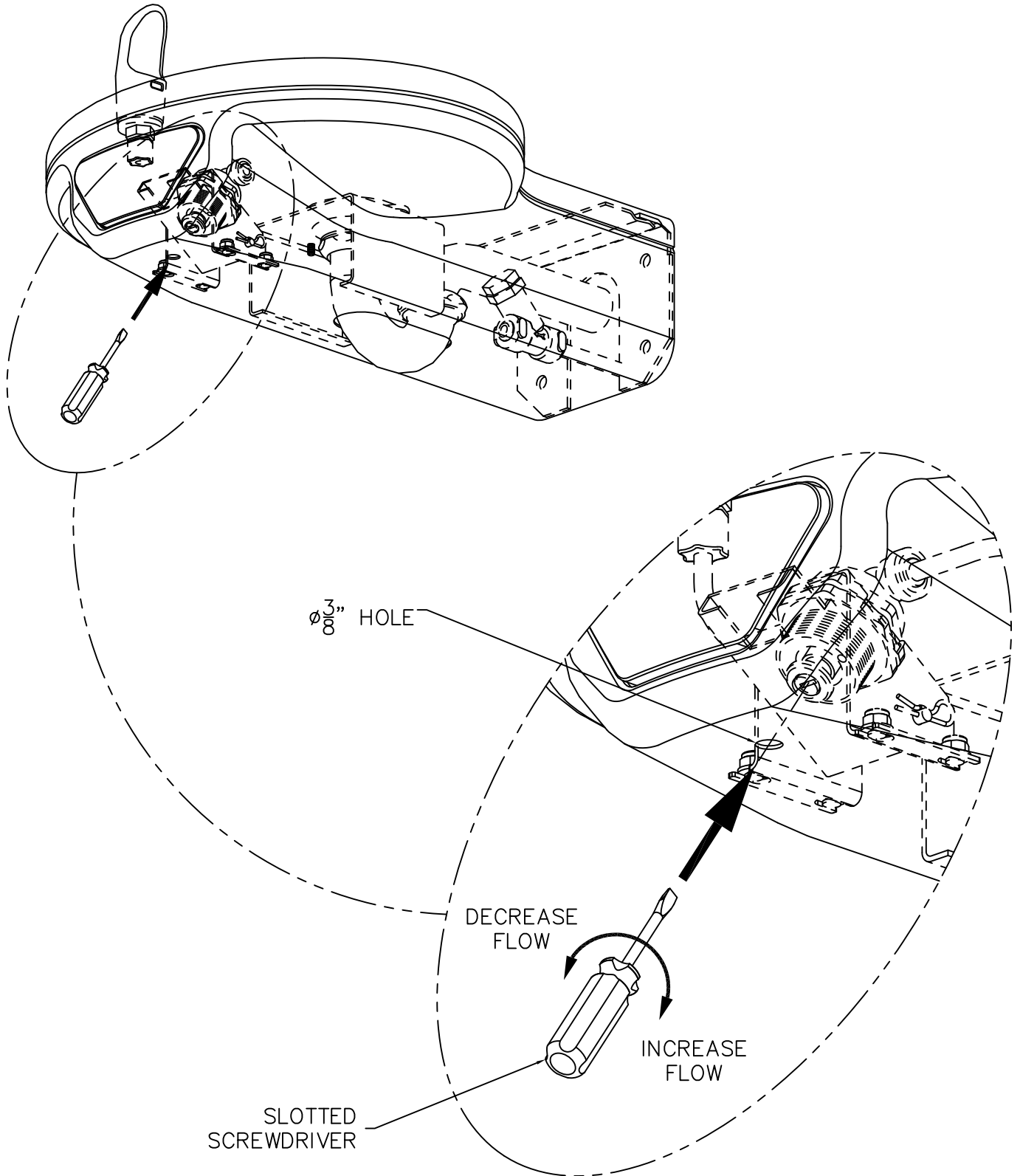


32-3/4" ORIFICE HEIGHT ABOVE FINISHED FLOOR FOR 27" ADA KNEE CLEARANCE. ADJUST AS REQUIRED.

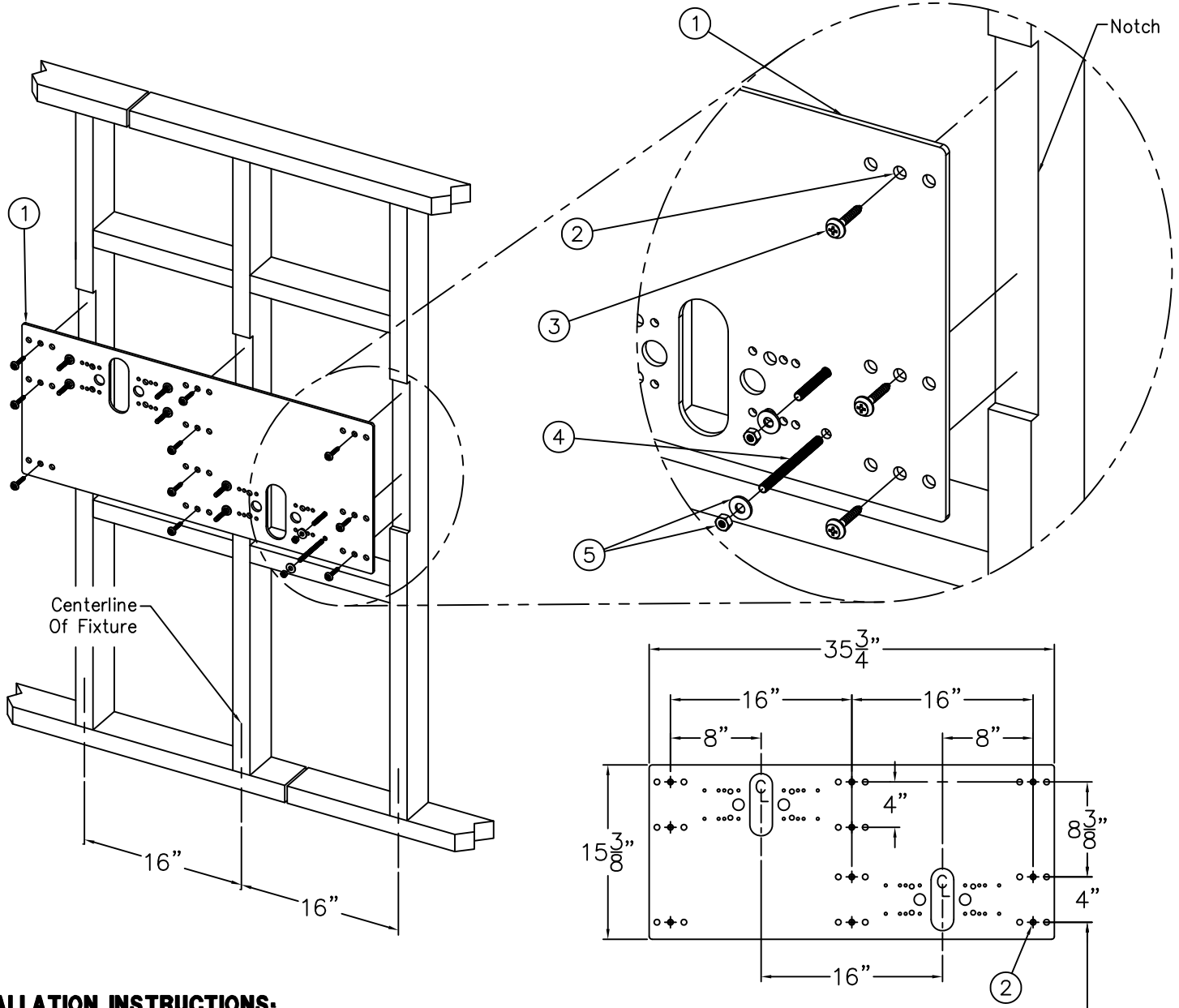
INSTALLATION INSTRUCTIONS:

- A- REFER TO DRAWING # 9938-377-001 TO INSTALL STANDARD SUPPLIED WALL MOUNTING PLATE (1).
- B- ROUGH-IN WASTE OUTLETS (2) AT DIMENSIONS SHOWN FOR 1-1/4" OUTER DIAMETER PLAIN END P-TRAPS (3).
- C- ROUGH-IN WATER SUPPLIES (4) AT DIMENSIONS SHOWN FOR THE 1/4" NOMINAL (3/8" O.D.) x 4" LONG COPPER TUBES CONNECTED TO IN-LINE STRAINERS (5) PROVIDED. STRAIGHT STOPS RECOMMENDED ON SUPPLIES SUPPLIED BY OTHERS.
- D- CAREFULLY REMOVE FIXTURES (6) AND COMPONENTS FROM THE PACKAGING PREVENTING SCRATCHING AND DAMAGE.
- E- REMOVE SCREWS (7). REMOVE FOUNTAIN TOPS (8) LIFTING AT THE FRONT & PULLING FORWARD. DISCONNECT TUBING (9) FROM BUBBLERS BY UNSCREWING FERRULE NUTS (10) AND SET TOPS (8) ASIDE WHERE THEY WILL NOT GET DAMAGED.
- F- INSTALL BACK PLATE (11), REFER TO DRAWING # 9938-316-001 FOR DETAILS, AND FIXTURES 6 WITH NUTS AND WASHERS (12).
- G- ASSEMBLE P-TRAPS (3) TO DRAIN ADAPTERS (13). ASSEMBLE TO UNITS WITH PHILLIPS SCREWS (14). MAKE-UP 1-1/4" O.D. WASTE CONNECTIONS.
- H- FLUSH WATER SUPPLIES (4) BY OTHERS OF ALL DEBRIS PRIOR TO CONNECTING TO FIXTURE.
- I- CONNECT WATER SUPPLIES (4) BY OTHERS TO 1/4" NOMINAL COPPER TUBE INLETS. STRAIGHT SUPPLY STOPS RECOMMENDED.
- J- RE-ATTACH TUBING (9) TO BUBBLERS WITH FERRULE NUTS (10). TEST OPERATION OF BUBBLERS BY DEPRESSING BUTTONS (15). REFERENCE DRAWING # 9938-004-001 TO ADJUST FLOW RATE AS REQUIRED. CHECK ALL CONNECTIONS AND WASTE PIPING FOR LEAKS. CORRECT IF PRESENT.
- K- SET GASKETS (16) ON DRAIN ADAPTERS (13). RE-INSTALL TOPS (8) ON HOUSINGS (ENGAGE THE BACK CLIP ON THE 18" UNIT) AND SECURE WITH SCREWS (7).

<p>ACORN AQUA P.O. Box 3527 City of Industry, CA 91744 Phone: (800) 591-9360 www.acornaqua.com</p>	<p>TITLE -W36 CONTOURED WALL MOUNTED BI-LEVEL DRINKING FOUNTAIN</p>		
	<p>MANUFACTURE DATE</p> <p>MAY 2010</p> <p>TO PRESENT</p>	<p>DATE ISSUED</p> <p>05/14/10</p> <p>DATE REVISED</p>	<p>DRAWING NUMBER</p> <p>9938-009-001</p>



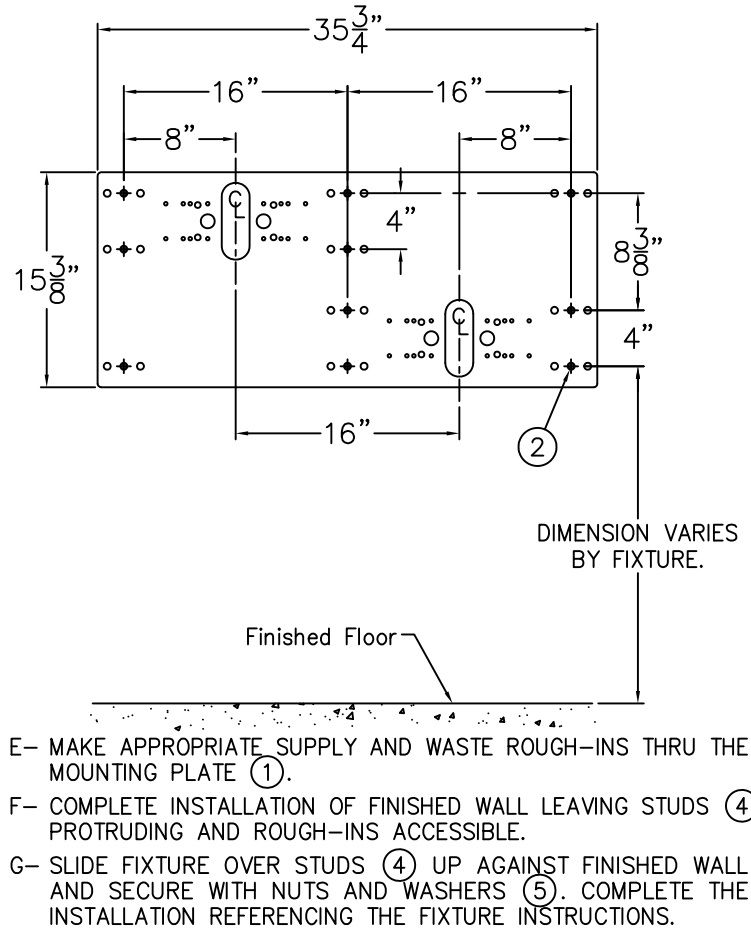
TITLE CONTOURED DRINKING FOUNTAIN FLOW RATE ADJUSTMENT		DATE ISSUED 09/27/05	DRAWING NUMBER 9938-004-001
MANUFACTURE DATE JANUARY 2006 TO PRESENT		DATE REVISED	



INSTALLATION INSTRUCTIONS:

NOTE: THE STANDARD -W36 BI-LEVEL INSTALLATION IS SHOWN. FOR OPTIONAL -W36-RBL REVERSE BI-LEVEL CONFIGURATION, THE INSTALLATION IS OPPOSITE TO THAT SHOWN.

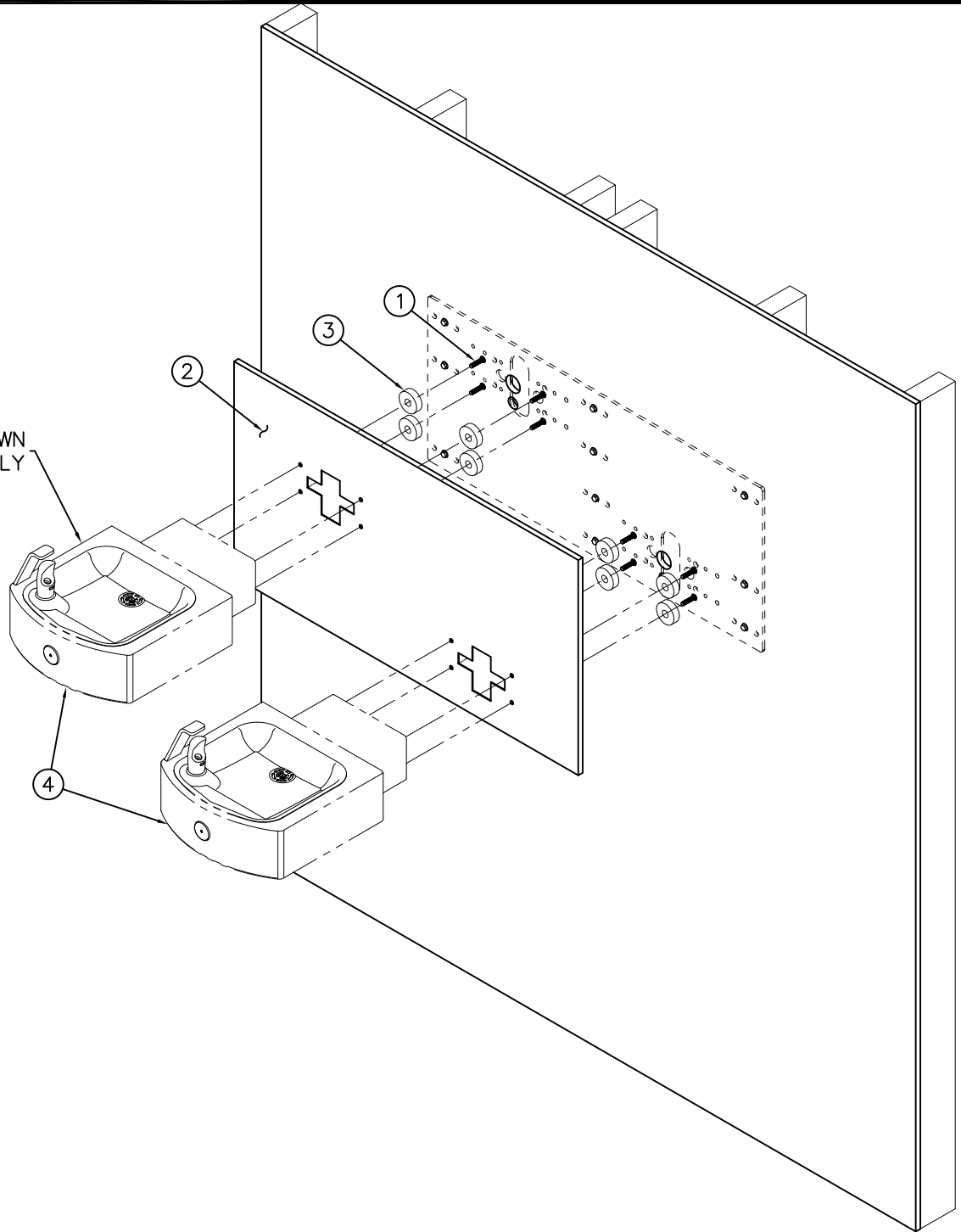
- A- PROVIDE STRUCTURAL WALL SUPPORT AT THE 16" SPACING AS SHOWN FOR ANCHORING -W36-MP2 MOUNTING PLATE ①.
- B- MOUNTING PLATE ① IS 1/4" THICK WITH 1/2" DIAMETER HOLES ② IN 30 PLACES FOR ANCHORING HARDWARE ③ BY OTHERS. NOTCH/PREPARE WALL SO THAT PLATE ① AND INSTALLER PROVIDED HARDWARE ③ WILL BE CONCEALED BEHIND THE WALL FINISHING MATERIAL.
- C- THREAD 5/16" ALL-THREAD STUDS ④ THRU PLATE ① SO THAT MINIMUM 1-1/4" OF STUD WILL PROTRUDE BEYOND THE FINISHED WALL FACE. REFERENCE FIXTURE ROUGH-INS FOR LOCATION.
- D- SECURELY ANCHOR PLATE ① TO WALL WITHIN NOTCHED AREA USING HARDWARE ③ BY OTHERS.



- E- MAKE APPROPRIATE SUPPLY AND WASTE ROUGH-INS THRU THE MOUNTING PLATE ①.
- F- COMPLETE INSTALLATION OF FINISHED WALL LEAVING STUDS ④ PROTRUDING AND ROUGH-INS ACCESSIBLE.
- G- SLIDE FIXTURE OVER STUDS ④ UP AGAINST FINISHED WALL AND SECURE WITH NUTS AND WASHERS ⑤. COMPLETE THE INSTALLATION REFERENCING THE FIXTURE INSTRUCTIONS.

<p>ACORN AQUA P.O. Box 3527 City of Industry, CA 91744 Phone: (800) 591-9360 www.acornaqua.com</p>	<p>TITLE -MP2-W36 BI-LEVEL WALL MOUNTING PLATE AND HARDWARE</p>		
	<p>MANUFACTURE DATE APRIL 2007 TO PRESENT</p>	<p>DATE ISSUED 04/16/07</p> <p>DATE REVISED</p>	<p>DRAWING NUMBER 9938-377-001</p>

THIS MODEL SHOWN FOR REFERENCE ONLY




INSTALLATION INSTRUCTIONS:

A—MAKE REFERENCE TO APPROPRIATE FIXTURE INSTALLATION INSTRUCTIONS FOR FIXTURE SUPPORT AND ANCHORING HARWARE ①.

B—CARFULLY REMOVE STAINLESS STEEL BACK PANEL ② FROM THE PACKAGING PREVENTING SCRATCHING AND DAMAGE.

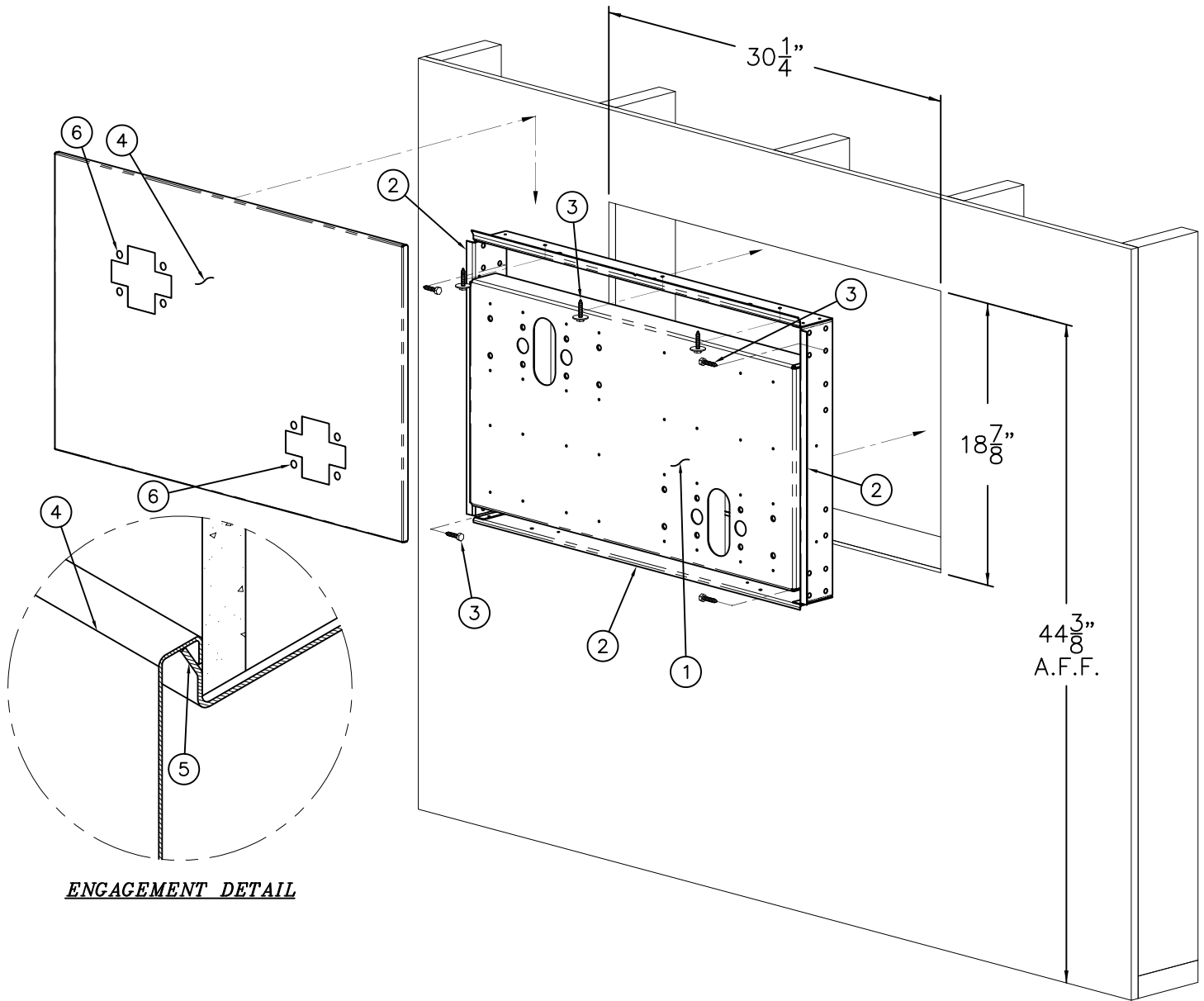
C—PLACE SPACERS ③ ON PROTRUDING HAREWARE ① BETWEEN THE FINISHED WALL AND BACK PANEL ②.

D—INSTALL BACK PANEL ② BY SANDWICHING IT BETWEEN THE FINISHED WALL AND THE DRINKING FOUNTIAN ④ FOLLOWING THE APPROPRIATE DRINKING FOUNTIAN INSTALLATION INSTRUCTIONS.

 ACORN AQUA P.O. Box 3527 City of Industry, CA 91744 Phone: (800) 591-9360 www.acornaqua.com	TITLE -W36 STEEL BACK PANEL FOR BI-LEVEL DRINKING FOUNTIANS		
	MANUFACTURE DATE JUNE 2008 TO PRESENT	DATE ISSUED 6/25/08 DATE REVISED 05/14/10	DRAWING NUMBER 9938-316-001

NOTE:

STANDARD BI-LEVEL INSTALLATION IS SHOWN. FOR OPTIONAL -RBL REVERSE BI-LEVEL CONFIGURATION, MOUNTING FRAME AND TOP TRIM PANEL ARE OPPOSITE.



ENGAGEMENT DETAIL

INSTALLATION INSTRUCTIONS:

A- PROVIDE A 30-1/4" WIDE x 18-7/8" TALL OPENING AT APPROPRIATE HEIGHT. PROVIDE ADEQUATE STRUCTURAL SUPPORT AROUND INSIDE OF OPENING FOR FRAME ANCHORING.

B- CENTER FRAME (1) WITHIN WALL OPENING. SLIDE FRAME (1) INTO OPENING UNTIL TOP, SIDE AND BOTTOM FLANGES (2) ARE AGAINST FINISHED WALL. SECURE TO WALL FROM THE TOP, SIDES AND BOTTOM USING INSTALLER PROVIDED HARDWARE (3).

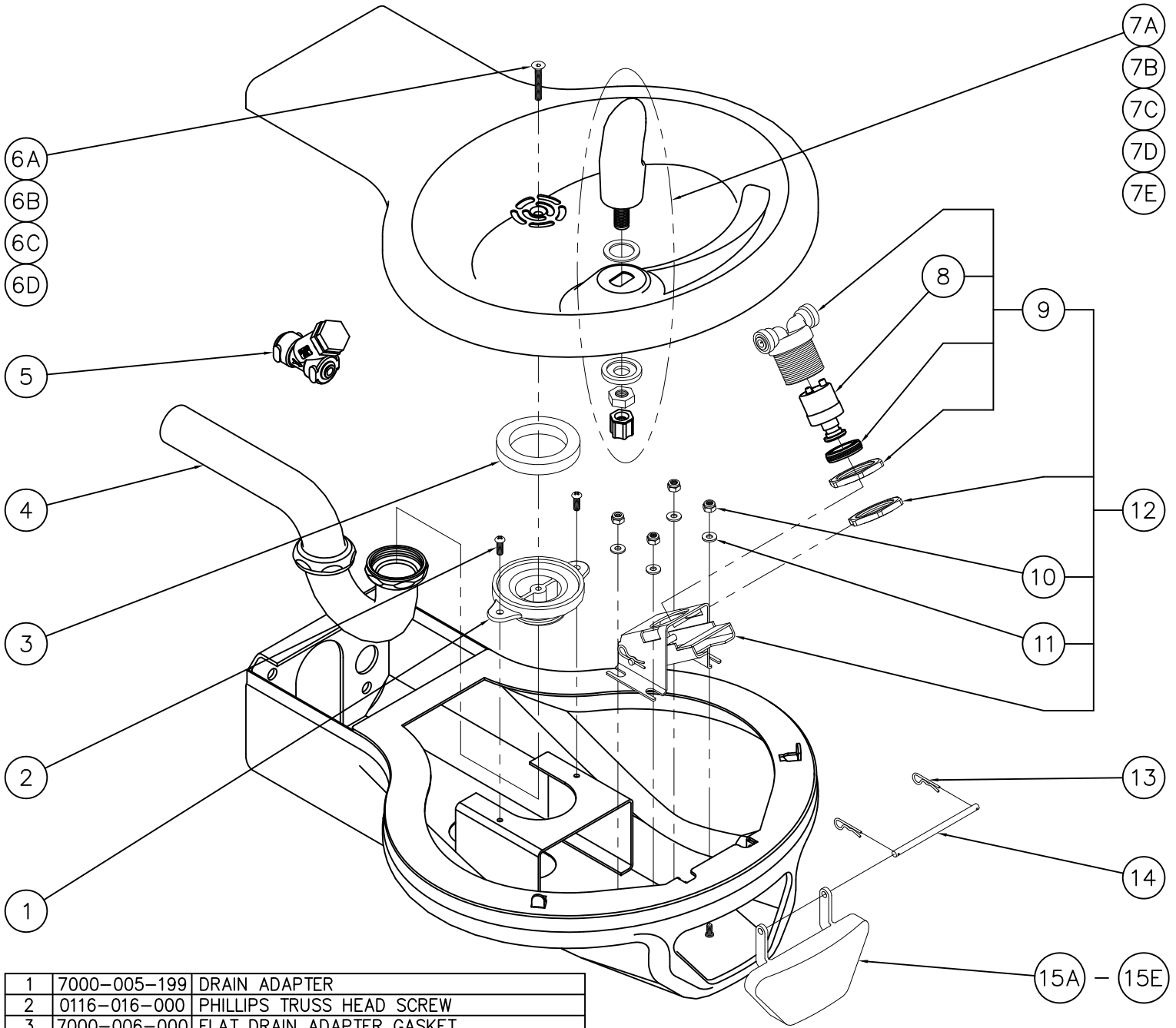
C- INSTALL TRIM PANEL (4) BY ENGAGING OVER JOGGLE (5) ON TOP OF FRAME (1), SEE ENGAGEMENT DETAIL.

D- ASSEMBLY OF DRINKING FOUNTAINS THROUGH TRIM PANEL (4) INTO MOUNTING FRAME (1) HELPS SECURE TRIM PANEL (4) INTO ONTO WALL.

NOTE:

TRIM PANEL FIXTURE MOUNTING POINTS (6) DIFFER TO MATCH MODEL REFERENCED BUT DOES NOT CHANGE THE METHOD OF INSTALLATION.

<p>ACORN AQUA P.O. Box 3527 City of Industry, CA 91744 Phone: (800) 591-9360 www.acornaqu.com</p>	<p>TITLE OPTIONAL -MF8 FOR -W32 BI-LEVEL FOUNTAIN WALL MOUNTING FRAME</p>		
	<p>MANUFACTURE DATE APRIL 2011 TO PRESENT</p>	<p>DATE ISSUED 04/13/11</p> <p>DATE REVISED</p>	<p>DRAWING NUMBER 9938-382-001</p>



1	7000-005-199	DRAIN ADAPTER	9	7000-050-001	VALVE ASSEMBLY
2	0116-016-000	PHILLIPS TRUSS HEAD SCREW	10	0308-009-000	NYLON INSERT LOCKNUT
3	7000-006-000	FLAT DRAIN ADAPTER GASKET	11	0331-004-000	FLAT WASHER
4	7000-015-000	1-1/4" OUTER DIAMETER P-TRAP	12	7001-008-001	VALVE ACTIVATION ASSEMBLY
5	7000-022-000	"Y" STRAINER	13	0341-100-000	WIRE CLIP
6A	0152-040-000	STAINLESS STEEL ALLEN FLAT HEAD SCREW	14	7000-100-199	BLACK DELRIN SHAFT
6B	0152-040-015	ALLEN FLAT HEAD SCREW - "2" BRONZE	15A	7000-004-000	PUSH PAD
6C	0152-040-016	ALLEN FLAT HEAD SCREW - "3" GOLD	15B	7000-004-015	PUSH PAD - "2" BRONZE
6D	0152-040-018	ALLEN SCREW - "3" -HP HIGH POLISH GOLD	15C	7000-004-016	PUSH PAD - "3" GOLD
7A	7000-002-001	STANDARD CHROME PLATED BRASS BUBBLER	15D	7000-004-017	PUSH PAD - CHROME -HP HIGH POLISH
7B	7000-702-015	BRASS BUBBLER - "2" BRONZE	15E	7000-004-018	PUSH PAD - "3" -HP HIGH POLISH GOLD
7C	7000-702-016	BRASS BUBBLER - "3" GOLD			
7D	7000-702-018	BRASS BUBBLER - "3" -HP HIGH POLISH GOLD			
7E	7000-410-002	"F" OPTION FLEXIBLE BUBBLER ASSEMBLY			
8	7000-060-000	VALVE CARTRIDGE			
ITEM	PART NUMBER	DESCRIPTION	ITEM	PART NUMBER	DESCRIPTION

<p>ACORN AQUA P.O. Box 3527 City of Industry, CA 91744 Phone: (800) 591-9360 www.acornaqua.com</p>	<p>TITLE PUSH PAD OPERATED CONTOURED DRINKING FOUNTAIN</p>		
	<p>MANUFACTURE DATE</p> <p>JANUARY 2006</p> <p>TO PRESENT</p>	<p>DATE ISSUED</p> <p>09/22/05</p>	<p>DRAWING NUMBER</p> <p>9938-000-500</p>
		<p>DATE REVISED</p> <p>04/07/10</p>	

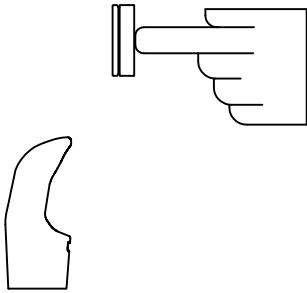


STANDARD PUSH PAD / PUSH BUTTON DRINKING FOUNTAIN

CONDITION:

SOLUTION:

NO WATER FLOW:



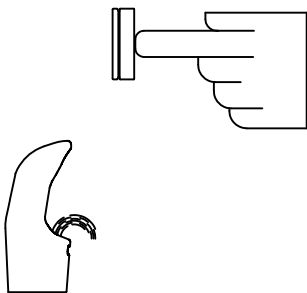
- 1.1 Check water main supply – open.
- 1.2 Inspect stop (by others) – open & no debris.
- 1.3 Inspect in–line strainer for debris – clean.
- 1.4 Replace valve cartridge.

WATER DRIPS / WILL NOT SHUT OFF:



- 2.1 For push pad activated drinking fountains only: Open fixture and move valve bracket assembly further back from push pad.
- 2.2 Replace valve cartridge.

REDUCED WATER FLOW:



- 3.1 Adjust the valve flow rate. See appropriate fixture installation instructions.
- 3.2 Check water main supply for 20 psig minimum flow pressure.
- 3.3 Inspect stop (by others) – open & no debris.
- 3.4 Inspect in–line strainer for debris – clean.
- 3.5 Inspect bubbler for debris – clean.
- 3.6 Inspect all tubing for twists or kinks.
- 3.7 Replace valve cartridge.


ACORN AQUA
 P.O. Box 3527 City of Industry, CA 91744
 Phone: (800) 591-9360 www.acornaqua.com

TITLE DRINKING FOUNTAIN VALVE MAINTENANCE INSTRUCTIONS		
MANUFACTURE DATE JANUARY 2006 TO PRESENT	DATE ISSUED 09/28/05	DRAWING NUMBER 9940-200-001
	DATE REVISED 10-20-08	