



# AquaArctic

## Remote Water Chiller, 8 GPH

### SUGGESTED SPECIFICATIONS

Model A9100080 is a remote water chiller that shall deliver **8.0 GPH** (30.3 LPH) of water 50°F (10°C) cooled from 80°F (26.7°C) inlet water and 90°F (32.2°C) ambient. Evaporator shall be an insulated, tube on tank. Cooling system shall use R-134a refrigerant and be capillary tube controlled. An adjustable thermostat with an off position shall control the refrigeration system. Frame shall be manufactured from heavy gage steel. Unit shall adhere to ANSI/NSF 61, Section 9. Unit shall be listed by Underwriters Laboratories for both the US and Canada, compliant to the Air Conditioning and Refrigeration Institute Standard 1010

Standard Model:  
A9100080



### STANDARD FEATURES

- Designed to serve multiple drinking fountains
- Copper tube on stainless steel tank evaporator
- Heavy gage galvanized steel cabinet
- 3/8" O.D. copper inlet & outlet tubes
- Refrigerant R-134a

Model Number	GPH*	Rated Watts	Full Load Amps	Approx. Shipping Weight
A9100080	8.0	390	4.6	48 lbs.

\* GPH of 50°F water at 90°F ambient room temperature and 80°F inlet water temperature  
Compressor motor operates on 115 Volt / 60 Hz single phase.



### OPTIONAL ACCESSORIES (additional costs)

- LG Louvered grille - Granite powder coated
- LG1 Louvered grille - stainless steel
- SRC Shelf for remote chiller
- 220V 220 volt / 50Hz compressor (€€)

Acorn Aqua™ assumes no responsibility for use of void or suspended data. © Copyright 2009 Acorn Aqua™, City of Industry, CA, A Division of Acorn Engineering Company. Please visit [www.acornaqua.com](http://www.acornaqua.com) for most current specifications.

Submittal # **A9100080**  
[Sec. E] Rev. D 8/1/09

COMPLIES WITH STANDARDS



Test rating conditions are compliant with ARI 1010.



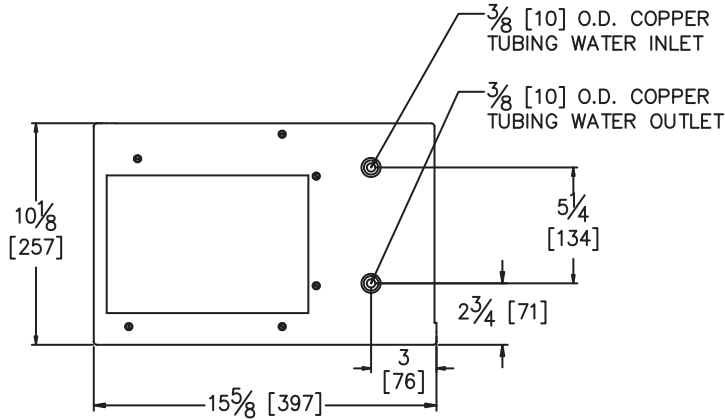
ACORN AQUA  
15125 Proctor Avenue  
City of Industry, CA  
91746 U.S.A.  
Phone 800-591-9360  
626-336-4561  
Fax 626-855-4894  
[www.acornaqua.com](http://www.acornaqua.com)



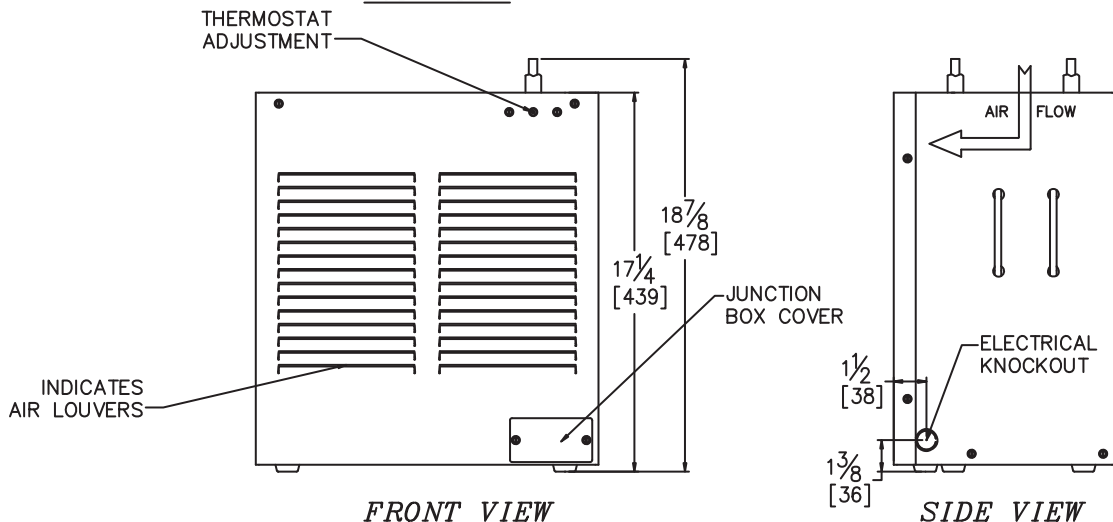
# TECHNICAL DIMENSIONS

All dimensions are nominal and subject to manufacturer's change without notice. Acorn Aqua™ assumes no responsibility for use of void or suspended data. © 2009 Acorn Aqua™, a Division of Acorn Engineering Company. Please visit [www.acornaqua.com](http://www.acornaqua.com) for most current specifications.

□ **Standard Model:**  
A9100080



**TOP VIEW**



**FRONT VIEW**

**SIDE VIEW**

**GENERAL NOTES:**

1. ALL DIMENSIONS ARE IN INCHES [MM]
2. ALLOW 4 INCHES [102 MM] MINIMUM CLEARANCE ON TOP AND FRONT FOR VENTILATION
3. IT IS RECOMMENDED THAT ALL WATER OUTLETS BE NO MORE THAN A MAXIMUM OF FIFTEEN (15) FEET FROM THE CHILLER AND ALL COLD WATER PIPING BE COVERED WITH SPONGE RUBBER OR ICE WATER TYPE INSULATION OF ADEQUATE THICKNESS.

**AquaArctic Remote Water Chiller, 8 GPH**

Rough-in # **A9100080** Rev. B 8/1/09

*Five Year Limited Warranty- (Continental United States and Canada Only) The following components are warranted for five years: Compressor, Condenser Coil and Refrigeration Coil. The following components shall only be warranted for a period of one year: Evaporator Can Assembly, Thermostat, Fan Motor, Cartridge, Push Buttons, Compressor Starting Relay/Overload/Capacitor and Activation Linkage. Other parts are warranted for one (1) year from date of installation.*  
*Limited Export Warranty- One (1) year on parts only.*

SELECTION SUMMARY & APPROVAL FOR MANUFACTURING

Company \_\_\_\_\_

Model Number & Options \_\_\_\_\_ Quantity \_\_\_\_\_

Contact \_\_\_\_\_ Title \_\_\_\_\_

Signature (Approval for Manufacturing) \_\_\_\_\_ Date \_\_\_\_\_



**800-591-9360**  
626-336-4561  
[www.acornaqua.com](http://www.acornaqua.com)