



AquaAccessories

Concealed Support Carrier

SUGGESTED SPECIFICATIONS

Model A0000000-CSC1 is a concealed support carrier for the wall mounted, three station cast aluminum drinking fountain that may be subjected to excessive leverage. The carrier must be used with the standard mounting plate that is provided with each fountain.

Standard Model:
A0000000-CSC1



STANDARD FEATURES

- Metal struts with mounting feet
- Pre-drilled holes for various fountains



OPTIONAL ACCESSORIES (additional costs)

NONE

Acorn Aqua™ assumes no responsibility for use of void or suspended data. © Copyright 2009 Acorn Aqua™, City of Industry, CA, A Division of Acorn Engineering Company. Please visit www.acornaqua.com for most current specifications.

Submittal # **A0000000-CSC1**
[Sec. F] Rev. B 8/1/09

COMPLIES WITH
STANDARDS



Member of Acorn
Family of Companies

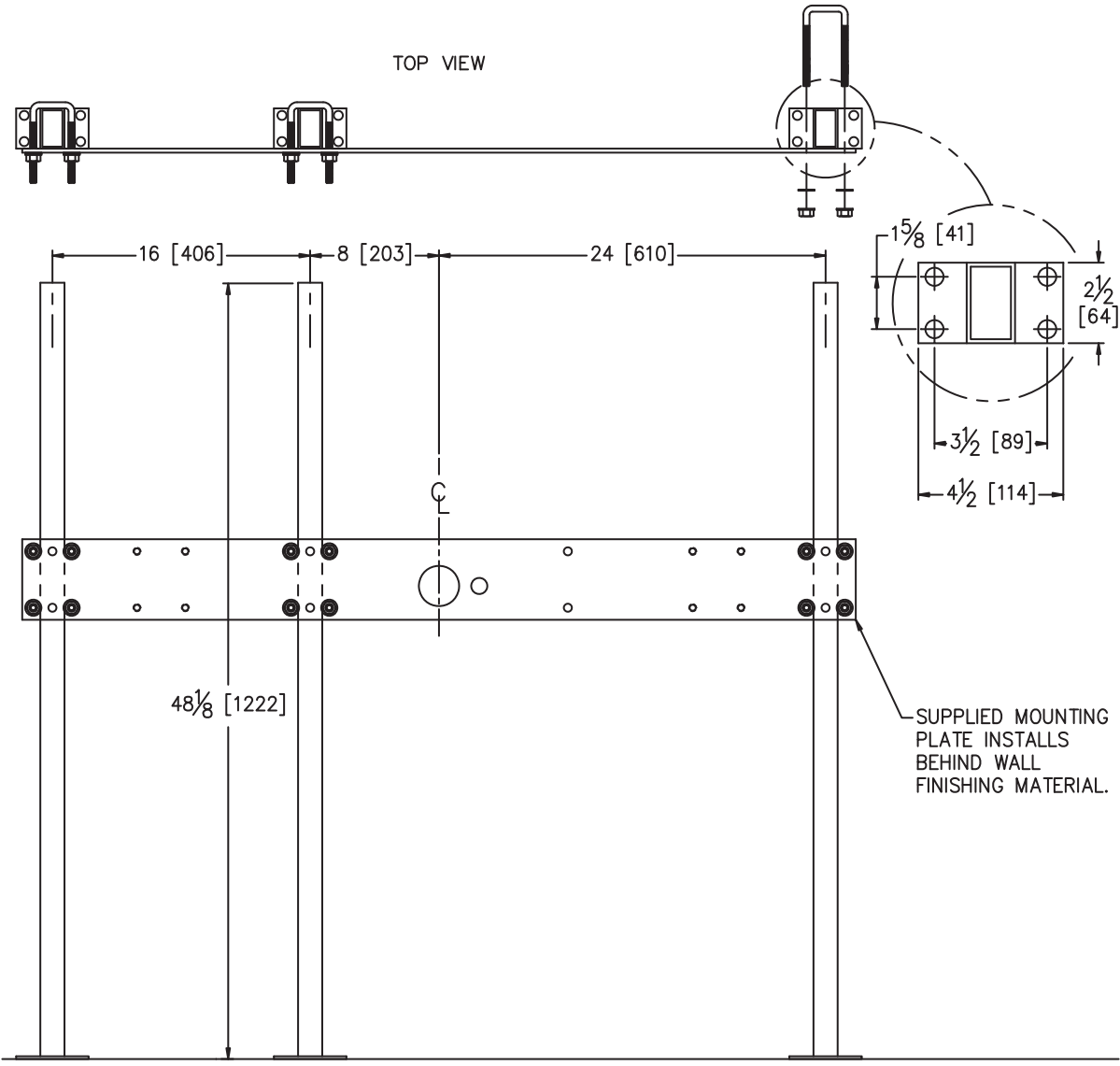
ACORN AQUA
15125 Proctor Avenue
City of Industry, CA
91746 U.S.A.
Phone 800-591-9360
626-336-4561
Fax 626-855-4894
www.acornaqua.com



TECHNICAL DIMENSIONS

All dimensions are nominal and subject to manufacturer's change without notice. Acorn Aqua™ assumes no responsibility for use of void or suspended data. © 2009 Acorn Aqua™, a Division of Acorn Engineering Company. Please visit www.acornaqua.com for most current specifications.

Standard Model:
A0000000-CSC1



GENERAL NOTES:
1. ALL DIMENSIONS ARE IN INCHES [MM].

AquaAccessories Concealed Support Carrier Rough-in # **A0000000-CSC1** Rev. B 8/1/09

Five Year Limited Warranty- (Continental United States and Canada Only) The following components are warranted for five years: Compressor, Condenser Coil and Refrigeration Coil. The following components shall only be warranted for a period of one year: Evaporator Can Assembly, Thermostat, Fan Motor, Cartridge, Push Buttons, Compressor Starting Relay/Overload/Capacitor and Activation Linkage. Other parts are warranted for one (1) year from date of installation.
Limited Export Warranty- One (1) year on parts only.

SELECTION SUMMARY & APPROVAL FOR MANUFACTURING

Company _____

Model Number & Options _____ Quantity _____

Contact _____ Title _____

Signature (Approval for Manufacturing) _____ Date _____

800-591-9360
626-336-4561
www.acornaqua.com