



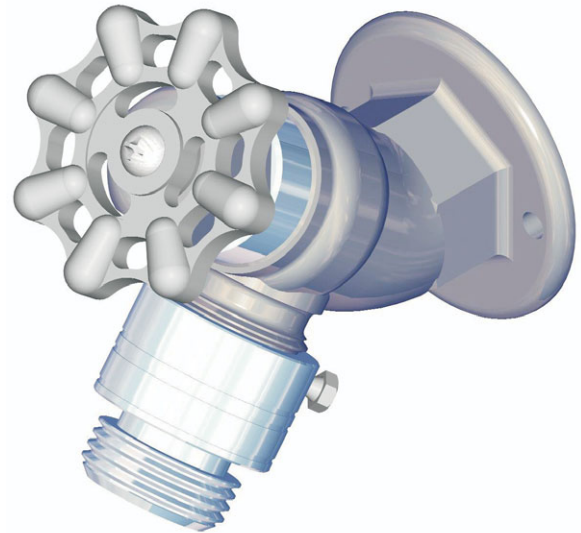
# AquaAccessories

## Compression Hose Bibb Faucet

### SUGGESTED SPECIFICATIONS

Model A0000000-HB1 is a compression hose bibb faucet with a vacuum breaker, 3/4" (19 mm) male hose threaded outlet, wheel handle and rough chrome finish. Unit is designed for use with Aqua outdoor steel and stone fountains and is not freeze-resistant. When installed on freeze resistant models, a separate water supply must be provided and bibb must be winterized during freezing conditions.

**Standard Model:**  
A0000000-HB1



### STANDARD FEATURES

- *Rough chrome, hose bibb faucet*
- *Wheel handle*
- *Assembly provided with a vacuum breaker and 3/4" male hose threaded outlet*



Member of  
U.S. Green  
Building  
Council

### OPTIONAL ACCESSORIES (additional costs)

NONE

Acorn Aqua™ assumes no responsibility for use of void or suspended data. © Copyright 2009 Acorn Aqua™, City of Industry, CA, A Division of Acorn Engineering Company. Please visit [www.acornaqua.com](http://www.acornaqua.com) for most current specifications.

Submittal # **A0000000-HB1**  
[Sec. F] Rev. B 8/1/09

COMPLIES WITH  
**STANDARDS**



Member of Acorn  
Family of Companies

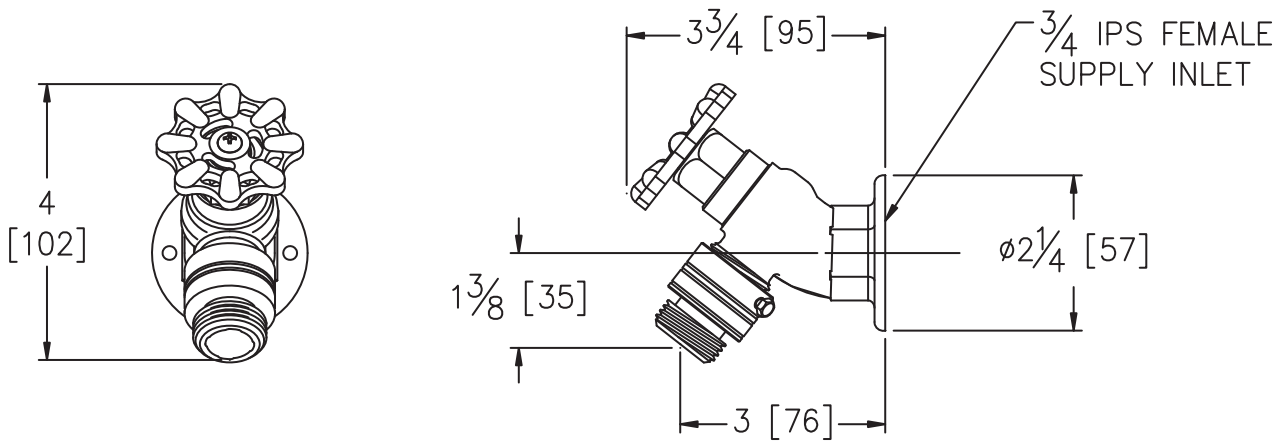
ACORN AQUA  
15125 Proctor Avenue  
City of Industry, CA  
91746 U.S.A.  
Phone 800-591-9360  
626-336-4561  
Fax 626-855-4894  
[www.acornaqua.com](http://www.acornaqua.com)



TECHNICAL  
**DIMENSIONS**

All dimensions are nominal and subject to manufacturer's change without notice. Acorn Aqua™ assumes no responsibility for use of void or suspended data. © 2009 Acorn Aqua™, a Division of Acorn Engineering Company. Please visit [www.acornaqua.com](http://www.acornaqua.com) for most current specifications.

☐ **Standard Model:**  
A0000000-HB1



**AquaAccessories** Compression Hose Bibb Faucet

Rough-in # **A0000000-HB1** Rev. B 8/1/09

*Five Year Limited Warranty- (Continental United States and Canada Only) The following components are warranted for five years: Compressor, Condenser Coil and Refrigeration Coil. The following components shall only be warranted for a period of one year: Evaporator Can Assembly, Thermostat, Fan Motor, Cartridge, Push Buttons, Compressor Starting Relay/Overload/Capacitor and Activation Linkage. Other parts are warranted for one (1) year from date of installation.*  
*Limited Export Warranty- One (1) year on parts only.*

SELECTION SUMMARY  
& APPROVAL FOR  
MANUFACTURING

Company \_\_\_\_\_

Model Number & Options \_\_\_\_\_ Quantity \_\_\_\_\_

Contact \_\_\_\_\_ Title \_\_\_\_\_

Signature \_\_\_\_\_  
(Approval for Manufacturing)

Date \_\_\_\_\_



**800-591-9360**  
626-336-4561  
[www.acornaqua.com](http://www.acornaqua.com)