



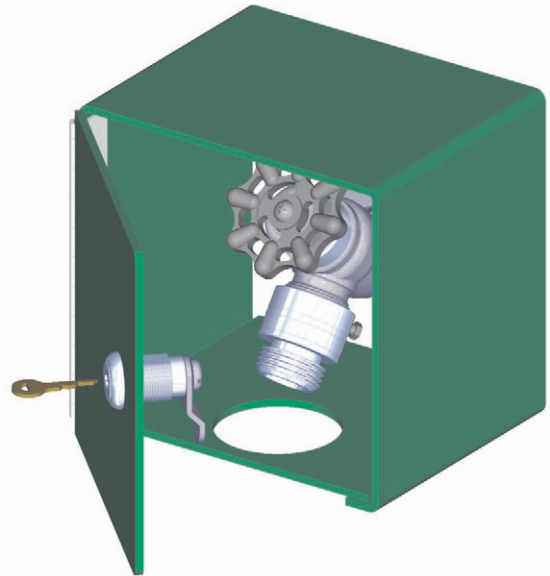
AquaAccessories

Vandal Resistant Hose Bibb Faucet

SUGGESTED SPECIFICATIONS

Model A0000000-HB3 is a vandal resistant hose bibb faucet with a vacuum breaker, 3/4" (19 mm) male hose threaded outlet, rough chrome finish and a steel protective housing with a lockable door. The bibb is designed for use with Aqua outdoor steel fountains and is not freeze-resistant. When installed on freeze resistant models, a separate water supply must be provided and bibb must be winterized during freezing conditions.

Standard Model:
A0000000-HB3



STANDARD FEATURES

- *Rough chrome, hose bibb faucet*
- *Steel protective housing and lockable door*
- *Assembly provided with a vacuum breaker and 3/4" male hose threaded outlet*



Member of
U.S. Green
Building
Council

OPTIONAL ACCESSORIES (additional costs)

NONE

Acorn Aqua™ assumes no responsibility for use of void or suspended data. © Copyright 2009 Acorn Aqua™, City of Industry, CA, A Division of Acorn Engineering Company. Please visit www.acornaqua.com for most current specifications.

Submittal # **A0000000-HB3**
[Sec. F] Rev. B 8/1/09

COMPLIES WITH
STANDARDS



Member of Acorn
Family of Companies

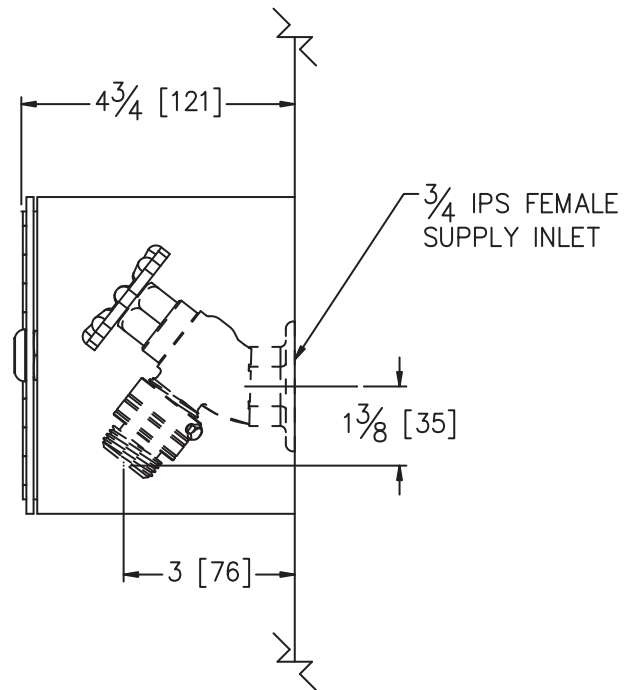
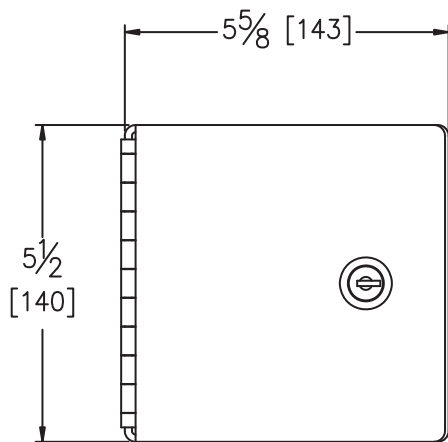
ACORN AQUA
15125 Proctor Avenue
City of Industry, CA
91746 U.S.A.
Phone 800-591-9360
626-336-4561
Fax 626-855-4894
www.acornaqua.com



TECHNICAL
DIMENSIONS

All dimensions are nominal and subject to manufacturer's change without notice. Acorn Aqua™ assumes no responsibility for use of void or suspended data. © 2009 Acorn Aqua™, a Division of Acorn Engineering Company. Please visit www.acornaqua.com for most current specifications.

☐ **Standard Model:**
A0000000-HB3



AquaAccessories Vandal Resistant Hose Bibb Faucet

Rough-in # **A0000000-HB3** Rev. B 8/1/09

Five Year Limited Warranty- (Continental United States and Canada Only) The following components are warranted for five years: Compressor, Condenser Coil and Refrigeration Coil. The following components shall only be warranted for a period of one year: Evaporator Can Assembly, Thermostat, Fan Motor, Cartridge, Push Buttons, Compressor Starting Relay/Overload/Capacitor and Activation Linkage. Other parts are warranted for one (1) year from date of installation.
Limited Export Warranty- One (1) year on parts only.

SELECTION SUMMARY
& APPROVAL FOR
MANUFACTURING

Company _____

Model Number & Options _____ Quantity _____

Contact _____ Title _____

Signature (Approval for Manufacturing) _____ Date _____



800-591-9360
626-336-4561
www.acornaqua.com