



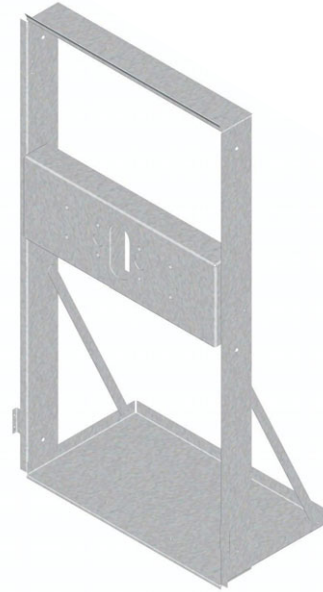
AquaAccessories

Mounting Frame - Single Refrigerated Fountain

SUGGESTED SPECIFICATIONS

Model A0000000-MF3 is a mounting frame for a single, refrigerated fountain. The mounting frame is manufactured from a heavy gage galvanized steel with pre-drilled mounting holes.

Standard Model:
A0000000-MF3



STANDARD FEATURES

- Heavy gage galvanized steel
- Pre-drilled mounting holes



Member of
U.S. Green
Building
Council



Recyclable
Product

OPTIONAL ACCESSORIES (additional costs)

NONE

Acorn Aqua™ assumes no responsibility for use of void or suspended data. © Copyright 2009 Acorn Aqua™, City of Industry, CA, A Division of Acorn Engineering Company. Please visit www.acornaqua.com for most current specifications.

Submittal # **A0000000-MF3**
[Sec. F] Rev. B 8/1/09

COMPLIES WITH
STANDARDS



Member of Acorn
Family of Companies

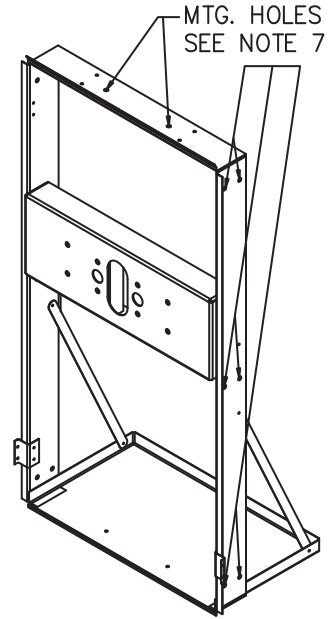
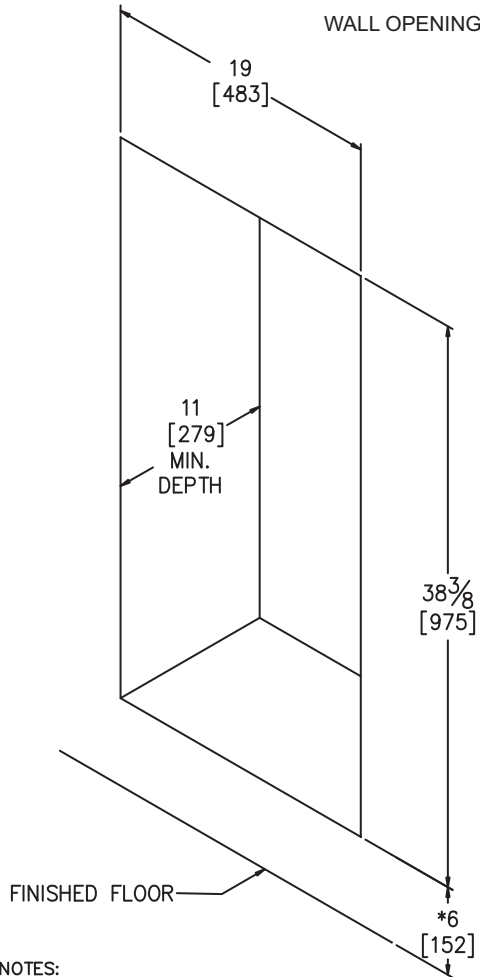
ACORN AQUA
15125 Proctor Avenue
City of Industry, CA
91746 U.S.A.
Phone 800-591-9360
626-336-4561
Fax 626-855-4894
www.acornaqua.com



TECHNICAL DIMENSIONS

All dimensions are nominal and subject to manufacturer's change without notice. Acorn Aqua™ assumes no responsibility for use of void or suspended data. © 2009 Acorn Aqua™, a Division of Acorn Engineering Company. Please visit www.acornaqua.com for most current specifications.

☐ **Standard Model:**
A0000000-MF3



SINGLE MOUNTING FRAME SHOWN

GENERAL NOTES:

1. ALL DIMENSIONS ARE IN INCHES [MM]
2. MOUNTING FRAME FOR USE WITH ACORN-AQUA SINGLE COOLERS.
- *3. VERTICAL FRAME HEIGHT IS SHOWN FOR RECOMMENDED ADULT HEIGHT WITH 27 [686] KNEE CLEARANCE. ADJUST DIMENSIONS AS NECESSARY TO COMPLY WITH FEDERAL, STATE, & LOCAL CODES. REFER TO FOUNTAIN ROUGH-IN FOR MORE DETAIL ON FIXTURE DIMENSIONS.
4. HOLD ROUGH-IN DIMENSIONS $\pm \frac{1}{8}$ [3].
5. THIS FRAME IS USED WITH SEVERAL MODELS OF ACORN-AQUA COOLERS. WASTE & SUPPLY HEIGHTS ARE DETAILED IN THE FOUNTAIN ROUGH-IN DRAWING.
6. FRAME MUST BE INSTALLED SO THE SIDE LIP OF FRAME OVERLAPS & BUTTS UP AGAINST FINISHED WALL.
7. SECURE FOUNTAIN FRAMES TO WALL AND SPACER USING $\frac{1}{4}$ LAG SCREW IN $\phi \frac{5}{16}$ [8] MOUNTING HOLES, 8 PLACES.

AquaAccessories Mounting Frame - Single Refrigerated Fountain

Rough-in # **A0000000-MF3** Rev. B 8/1/09

Five Year Limited Warranty- (Continental United States and Canada Only) The following components are warranted for five years: Compressor, Condenser Coil and Refrigeration Coil. The following components shall only be warranted for a period of one year: Evaporator Can Assembly, Thermostat, Fan Motor, Cartridge, Push Buttons, Compressor Starting Relay/Overload/Capacitor and Activation Linkage. Other parts are warranted for one (1) year from date of installation.
Limited Export Warranty- One (1) year on parts only.

SELECTION SUMMARY & APPROVAL FOR MANUFACTURING

Company _____

Model Number & Options _____ Quantity _____

Contact _____ Title _____

Signature (Approval for Manufacturing) _____

Date _____



800-591-9360
626-336-4561
www.acornaqua.com